

Supplied in plain end or socket at one end
for solvent weld connection to pipes or fittings.

PRESSURE PIPE - PN 15

CODE NO.	NOM. SIZE (mm)	MEAN OUTSIDE DIAMETER D (mm)		WALL THICKNESS e (mm)		LENGTH L (m)
		min	max	min	max	
1100 015 40 E	15	21.2	21.5	1.7	2.1	4
1100 020 40 E	20	26.6	26.9	1.9	2.5	4
1100 025 40 E	25	33.4	33.7	2.2	2.7	4
1100 032 40 E	32	42.1	42.4	2.7	3.2	4
1100 040 40 E	40	48.1	48.4	3.1	3.7	4
1100 050 40 E	50	60.2	60.5	3.9	4.5	4
* 1102 065 60 E	65	75.0	75.3	4.8	5.5	6
* 1102 080 60 E	80	88.7	89.1	5.7	6.6	6
* 1102 100 60 E	100	114.1	114.5	7.3	8.4	6
* 1102 155 60 E	155	168.0	168.5	10.8	12.5	6
* 1102 200 60 E	200	218.8	219.4	12.6	14.5	6
* 1102 250 60 E	250	272.6	273.4	15.7	18.1	6
1100 300 60 E	300	323.4	324.3	18.7	21.6	6

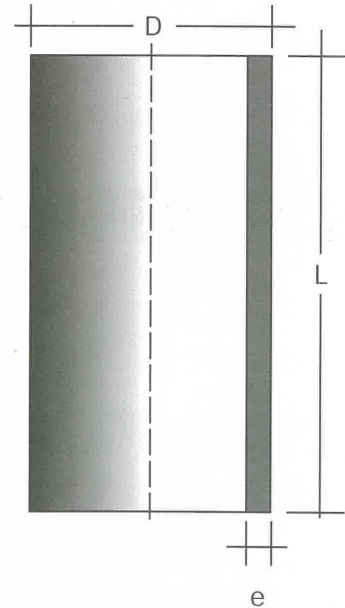
Pressure rating: 15 bar

PRESSURE PIPE - CLASS 6

CODE NO.	NOM. SIZE (mm)	MEAN OUTSIDE DIAMETER D (mm)		WALL THICKNESS e (mm)		PRESSURE RATING (bar)	LENGTH L (m)
		min	max	min	max		
1100 015 40 6	15	21.2	21.5	2.8	3.3	28	4
1100 020 40 6	20	26.6	26.9	2.9	3.4	22	4
1100 025 40 6	25	33.4	33.7	3.4	4.0	24	4

PRESSURE PIPE - CLASS 7

CODE NO.	NOM. SIZE (mm)	MEAN OUTSIDE DIAMETER D (mm)		WALL THICKNESS e (mm)		PRESSURE RATING (bar)	LENGTH L (m)
		min	max	min	max		
1100 015 40 7	15	21.2	21.5	3.7	4.3	40	4
1100 020 40 7	20	26.6	26.9	3.9	4.5	32	4
1100 025 40 7	25	33.4	33.7	4.5	5.2	32	4
1100 032 40 7	32	42.1	42.4	4.8	5.5	28	4
1100 040 40 7	40	48.1	48.4	5.1	5.9	25	4
1100 050 40 7	50	60.2	60.5	5.5	6.3	22	4



Manufactured in compliance with:

- MS 628 :1999
- BS 3505 :1986
- BS 3506 :1969

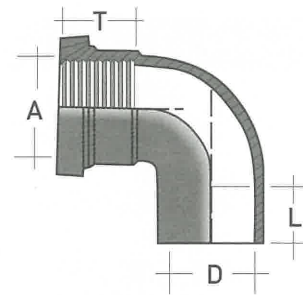
* Pipes available in solvent socket at one end

FAUCET ELBOW

To connect faucet or ball valve to uPVC water supply line.
Threaded at one end and solvent weld to pipe on the other end.

CODE NO.	NOM. SIZE (mm)	DIMENSIONS (mm)			
		L	A	T	D
2102 015	15	24.5	17.5	28.0	21.6
2102 020	20	23.0	21.0	28.0	27.0
2102 025	25	26.0	26.0	37.0	33.8
2102 032	32	29.0	26.0	37.0	42.5
2102 040	40	34.5	25.5	35.0	48.6
2102 050	50	33.0	34.0	43.0	60.7
* 2EGGHFVNN	65	44.0	64 +	30.2	65 +
* 2EGGLFVPP	80	51.0	76 +	33.3	80 +
* 2EGGLFVQQ	100	63.0	102 +	39.3	100 +

* Imported fittings from Aliaxis
+ Nominal Dimensions

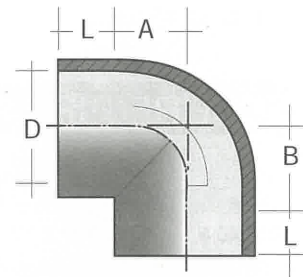


EQUAL ELBOW

To solvent weld pipes at both ends.

CODE NO.	NOM. SIZE (mm)	DIMENSIONS (mm)			
		L	A	B	D
2103 015	15	24.0	12.0	15.0	21.6
2103 020	20	26.0	28.0	28.0	27.0
2103 025	25	26.0	21.0	18.0	33.8
2103 032	32	32.0	33.5	33.5	42.5
2103 040	40	37.5	25.0	27.0	48.6
2103 050	50	43.0	43.0	43.0	60.7
* 2EGGHHVNN	65	44.0	40.5	40.5	65 +
2103 080	80	51.0	44.0	53.0	89.4
2103 100	100	64.0	73.0	70.0	114.8
* 2EGGLLVTT	155	90.0	90.0	90.0	155 +
* 2EGGLLVV	200	115.5	169.5	169.5	200 +

* Imported fittings from Aliaxis
+ Nominal Dimensions

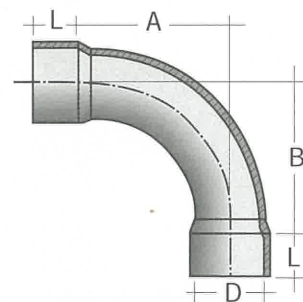


90° BEND

To solvent weld to pipes at both ends.

CODE NO.	NOM. SIZE (mm)	DIMENSIONS (mm)			
		L	A	B	D
2104 015	15	23.0	78.0	79.0	21.6
2104 020	20	24.0	79.0	79.0	27.0
2104 025	25	27.0	106.0	108.0	33.8
2104 032	32	40.0	72.0	83.0	42.5
2104 040	40	44.0	168.5	171.4	48.6
2104 050	50	48.0	233.0	220.0	60.7
2104 065	65	60.0	245.9	244.3	75.5
2104 080	80	77.0	245.0	227.0	89.4
2104 100	100	97.0	311.0	315.9	114.8
2104 155	155	140.5	559.0	650.5	168.9
2104 200	200	181.0	1200.0	1200.0	219.8
2104 250	250	224.0	1463.1	1463.1	273.9
2104 300	300	264.5	1661.3	1161.3	324.8

Fabricated from pipe

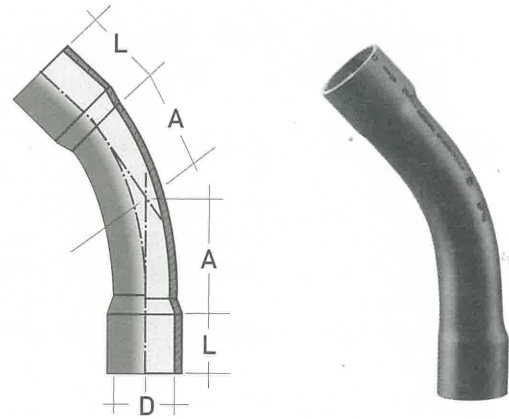


45° BEND

To solvent weld to pipes at both ends.

CODE NO.	NOM. SIZE (mm)	L	DIMENSIONS (mm)	
			A	D
2105 015	15	23.0	39.0	21.6
2105 020	20	24.0	50.0	27.0
2105 025	25	27.0	65.0	33.8
2105 032	32	40.0	130.0	42.5
2105 040	40	44.0	103.3	48.6
2105 050	50	48.0	160.0	60.7
2105 065	65	60.0	152.9	75.5
2105 080	80	77.0	210.0	89.4
2105 100	100	97.0	186.5	114.8
2105 155	155	140.5	247.0	168.9

Fabricated from pipe

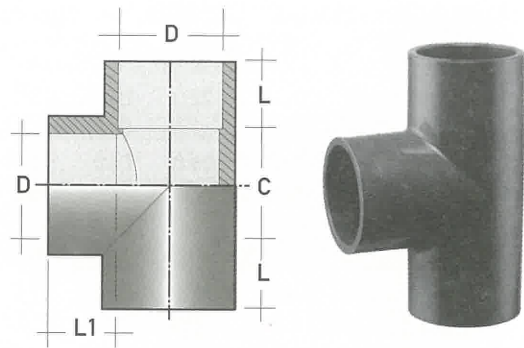


EQUAL TEE

To solvent weld to pipes at both ends.

CODE NO.	NOM. SIZE (mm)	L	DIMENSIONS (mm)		
			C	L1	D
2106 015	15	24.5	27.0	25.0	21.6
2106 020	20	28.0	32.0	27.0	27.0
2106 025	25	26.0	32.0	25.0	33.8
2106 032	32	34.0	57.0	31.0	42.5
2106 040	40	38.0	50.0	35.0	48.6
2106 050	50	43.0	71.0	37.0	60.7
* 2ETTHVNN	65	44.0	81.0	44.0	65 +
2106 080	80	51.0	92.0	50.0	89.4
2106 100	100	61.0	129.0	62.0	114.8
* 2ETLLVTT	155	90.0	180.0	90.0	155 +
* 2ETLLVVV	200	115.5	232.0	155.5	200 +

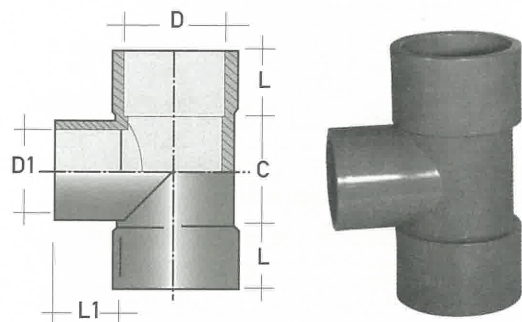
* Imported fittings from Aliaxis
+ Nominal Dimensions



REDUCING TEE

To solvent weld to pipes or fittings at each end.

CODE NO.	NOM. SIZE (mm)	L	DIMENSIONS (mm)			
			C	L1	D	D1
2107 020 015	20x15	23.0	29.0	22.0	27.0	21.6
2107 025 015	25x15	26.0	42.0	22.0	33.8	21.6
2107 025 020	25x20	26.0	32.5	23.0	33.8	27.0
2107 032 020	32x20	32.0	25.0	23.0	42.5	27.0
2107 032 025	32x25	32.0	54.0	26.0	42.5	33.8
2107 040 025	40x25	38.0	18.8	28.0	48.6	33.8
2107 040 032	40x32	38.0	42.0	34.0	48.6	42.5
2107 050 032	50x32	41.5	44.0	32.5	60.7	42.5
2107 050 040	50x40	41.5	65.0	35.6	60.7	48.6
2107 080 050	80x50	60.0	65.0	43.5	89.4	60.7
2107 100 080	100x80	72.0	89.0	60.0	114.8	89.4

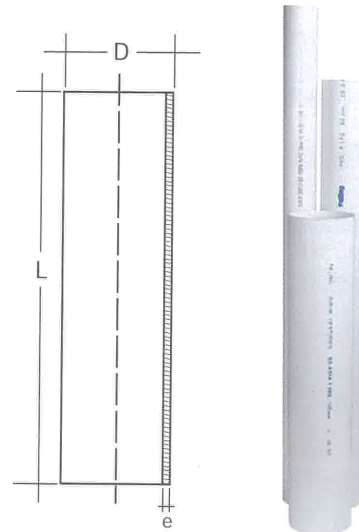


Soil, Waste & Vent Pipes

For solvent weld connection to all fittings.

CODE NO.	NOM. SIZE (mm)	Mean Outside Diameter D (mm)		Min Wall Thickness e(mm)	Length L (m)
		min	max		
1200 032 40	32	36.15	36.45	1.8	4
1200 040 40	40	42.75	43.05	1.9	4
1200 050 40	50	55.75	56.05	2.0	4
1200 050 60	50	55.75	56.05	2.0	6
1200 082 40	82	82.4	82.8	3.2	4
1200 082 60	82	82.4	82.8	3.2	6
1200 110 40	110	110.0	110.4	3.2	4
1200 110 60	110	110.0	110.4	3.2	6
1200 160 40	160	160.0	160.6	3.2	4
1200 160 60	160	160.0	160.6	3.2	6

Other lengths are available on special order.

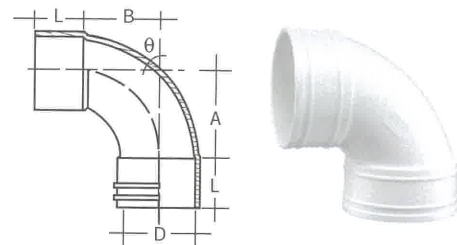


Bend (Swept)

To solvent weld to pipes or fittings at both ends.

CODE NO.	NOM. SIZE (mm)	ANGLE θ	L	DIMENSIONS (mm)		
				A	B	D
2201 032	32	88 3/4°	24.0	28.0	30.0	36.6
2201 040	40	88 3/4°	28.0	27.0	28.0	43.2
2201 050	50	88 3/4°	30.0	32.0	32.0	56.2
2201 082	82	87 1/2°	43.0	80.0	76.0	83.1
* 2201 110	110	87 1/2°	51.0	75.0	71.0	110.6
* 2201 160	160	87 1/2°	76.0	129.0	129.0	160.8

* Available in MF & FF

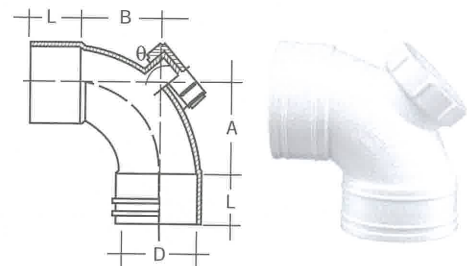


Bend (Swept) with Inspection Opening

To solvent weld to pipe, fitted with inspection opening.

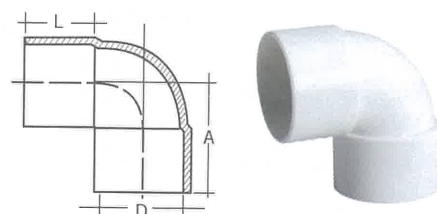
CODE NO.	NOM. SIZE (mm)	ANGLE θ	L	DIMENSIONS (mm)		
				A	B	D
2202 040	40	88 3/4°	28.0	27.0	28.0	43.2
2202 050	50	88 3/4°	30.0	32.0	32.0	56.2
2202 082	82	87 1/2°	43.0	80.0	76.0	83.1
* 2202 110	110	87 1/2°	51.0	75.0	71.0	110.6
* 2202 160	160	87 1/2°	76.0	129.0	129.0	160.8

* Available in MF & FF



Knuckle Bend Plain

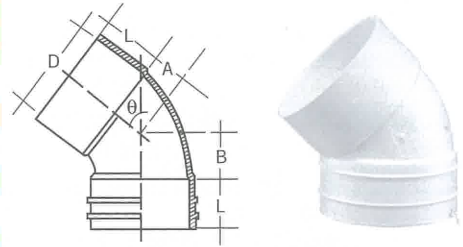
CODE NO.	NOM. SIZE (mm)	L	DIMENSIONS (mm)	
			D	A
2203 032	32	21.0	36.6	45.0
2203 040	40	24.0	43.2	52.0



Bend (Unswept)

To solvent weld to pipe.

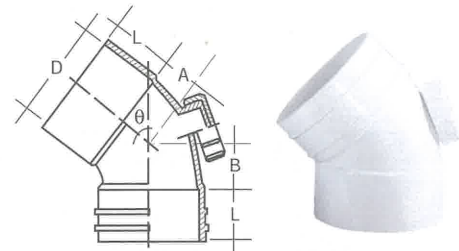
CODE NO.	NOM. SIZE (mm)	ANGLE		DIMENSIONS (mm)		
		θ	L	A	B	D
2210 032	32	45°	23.0	6.0	6.0	36.6
2210 040	40	45°	27.0	8.0	8.0	43.2
2210 050	50	45°	30.0	10.0	10.0	56.2
2210 082	82	45°	43.0	15.0	15.0	83.1
2210 110	110	45°	50.0	20.0	20.0	110.6
2210 160	160	45°	76.0	30.0	30.0	160.8



Bend (Unswept) with Inspection Opening

To solvent weld to pipe, fitted with inspection opening.

CODE NO.	NOM. SIZE (mm)	ANGLE		DIMENSIONS (mm)		
		θ	L	A	B	D
2203 050	50	45°	30.0	10.0	10.0	56.2
2203 082	82	45°	43.0	15.0	15.0	83.1
2203 110	110	45°	50.0	20.0	20.0	110.6
2203 160	160	45°	76.0	30.0	30.0	160.8



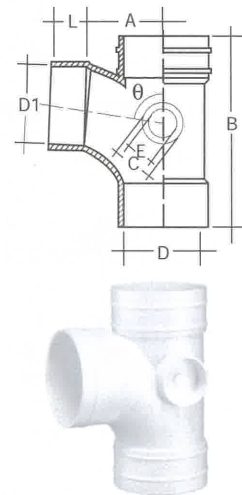
Branch (Swept)

To solvent weld to pipe.

With integrally moulded boss adaptor socket to accept waste pipes or fittings.

CODE NO.	NOM. SIZE (mm)	ANGLE		DIMENSIONS (mm)					
		θ	L	A	B	C	E	D	D1
2211 032	32	88 3/4°	23.3	30.0	93.0	-	-	36.6	36.6
2211 040	40	88 3/4°	27.0	35.0	109.0	-	-	43.2	43.2
2211 050	50	88 3/4°	30.0	50.0	136.0	-	-	56.2	56.2
2211 082	82	87 1/2°	45.0	76.0	206.0	-	43.0	83.1	83.1
* 2211 110	110	87 1/2°	50.0	75.0	250.0	-	56.0	110.6	110.6
2211 160	160	87 1/2°	77.0	155.0	360.0	83.0	56.0	160.8	160.8
+ 2211 160 110	160x110	87 1/2°	160.3	125.0	372.0	-	56.0	160.8	110.6

- * Available in MF & FF
- + Reducing Branch



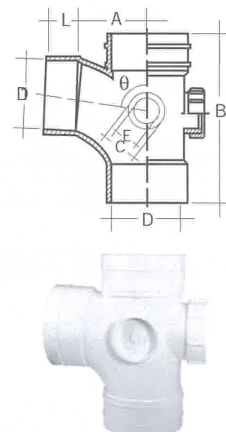
Branch (Swept) with Inspection Opening

To solvent weld to pipe.

With integrally moulded boss adaptor socket to accept waste pipes or fittings.

CODE NO.	NOM. SIZE (mm)	ANGLE		DIMENSIONS (mm)					
		θ	L	A	B	C	E	D	D1
2212 040	40	88 3/4°	27.0	35.0	109.0	-	-	43.2	43.2
2212 050	50	88 3/4°	30.0	50.0	136.0	-	-	56.2	56.2
2212 082	82	87 1/2°	45.0	76.0	206.0	-	43.0	83.1	83.1
* 2212 110	110	87 1/2°	50.0	75.0	250.0	-	56.0	110.6	110.6
2212 160	160	87 1/2°	77.0	155.0	360.0	83.0	56.0	160.8	160.8
+2212 160 110	160x110	87 1/2°	160.3	125.0	372.0	-	56.0	160.8	110.6

- * Available in MF & FF
- + Reducing Branch

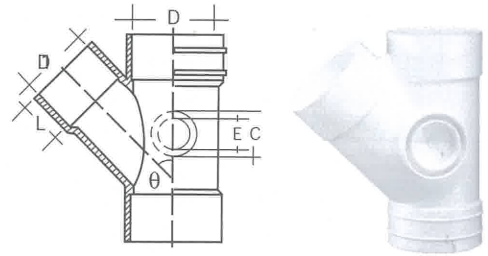


Branch (Unswept)

With integrally moulded boss adaptor socket to accept waste pipes or fittings.

CODE NO.	NOM. SIZE (mm)	ANGLE θ	DIMENSIONS (mm)				
			L	C	E	D	D1
2213 050	50	45°	30.0	-	-	56.2	56.2
2213 082	82	45°	44.0	-	43.0	83.1	83.1
2213 110	110	45°	51.0	83.0	56.0	110.6	110.6
* 2213 110 082	110x82	45°	45.0	83.0	56.0	110.6	83.1
2213 160 110	160x110	45°	50.0	83.0	56.0	160.8	110.6

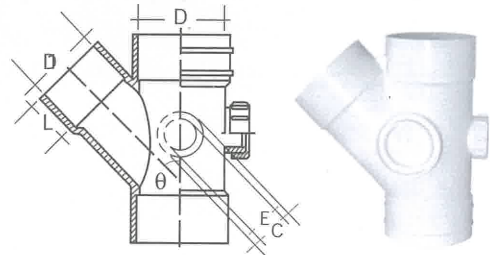
* Combination item comprising Branch (2213 110) and Bush Socket Reducer (2236 110 082).



Branch (Unswept) with Inspection Opening

With integrally moulded boss adaptor socket to accept waste pipes or fittings.

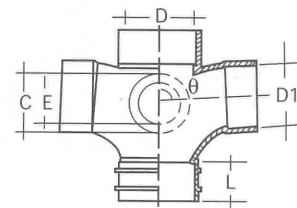
CODE NO.	NOM. SIZE (mm)	ANGLE θ	DIMENSIONS (mm)				
			L	C	E	D	D1
2214 050	50	45°	30.0	-	-	56.2	56.2
2214 082	82	45°	44.0	-	43.0	83.1	83.1
2214 110	110	45°	51.0	83.0	56.0	110.6	110.6
2214 110 082	110x82	45°	45.0	83.0	56.0	110.6	83.1
2214 160 110	160x110	45°	50.0	83.0	56.0	160.8	110.6



Equal Double Branch (Swept)

With integrally moulded boss adaptor socket to accept waste pipes or fittings.

CODE NO.	NOM. SIZE (mm)	ANGLE θ	DIMENSIONS (mm)				
			L	C	E	D	D1
2216 050	50	88 3/4°	28.5	-	43.0	56.2	56.2
2216 110	110	87 1/2°	50.5	82.5	56.0	110.6	110.6

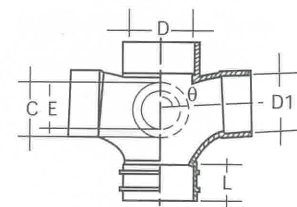


Equal Double Branch (Swept) with Inspection Opening

Access Plug (2229) connected to integrally moulded boss adaptor socket to provide inspection opening.

CODE NO.	NOM. SIZE (mm)	ANGLE θ	DIMENSIONS (mm)				
			L	C	E	D	D1
2217 050	50	88 3/4°	30.0	-	43.0	56.2	56.2
2217 110	110	88 1/2°	50.0	83.0	56.0	110.6	110.6
* 2217 160 110	160x110	88 1/2°	76.0	83.0	56.0	160.8	110.6

* Combination item comprising Reducing Double Branch (2219 160 110) and 41° Bend.



Solvent Cement

